

# INSTALLATION INSTRUCTIONS

# NI SCXI™-1331

## Terminal Block for the NI SCXI-1127/1128

This guide describes how to install and connect signals to the National Instruments SCXI-1331 terminal block to configure the SCXI-1127/1128 switch module as a  $64 \times 1$ , 1-wire matrix, a  $32 \times 1$ , 2-wire matrix, or a  $16 \times 1$ , 4-wire matrix.

Screw terminals on the SCXI-1331 allow you to access the matrices. The SCXI-1331 also contains terminals for external trigger signals.

Refer to the *NI Switches Getting Started Guide* to determine when to install the terminal block. Visit [ni.com/switches](http://ni.com/switches) for information on other switching solutions.

## Conventions

---

The following conventions are used in this guide:

»

The » symbol leads you through nested menu items and dialog box options to a final action. The sequence **File»Page Setup»Options** directs you to pull down the **File** menu, select the **Page Setup** item, and select **Options** from the last dialog box.



This icon denotes a note, which alerts you to important information.



This icon denotes a caution, which advises you of precautions to take to avoid injury, data loss, or a system crash. When this symbol is marked on a product, refer to the *Read Me First: Safety and Radio-Frequency Interference* document for information about precautions to take.

**bold**

Bold text denotes items that you must select or click in the software, such as menu items and dialog box options. Bold text also denotes parameter names.

*italic*

Italic text denotes variables, emphasis, a cross reference, or an introduction to a key concept. This font also denotes text that is a placeholder for a word or value that you must supply.

monospace

Text in this font denotes text or characters that you should enter from the keyboard, sections of code, programming examples, and syntax examples. This font is also used for the proper names of disk drives, paths, directories, programs, subprograms, subroutines, device names, functions, operations, variables, filenames and extensions, and code excerpts.

# 1. Unpack the Terminal Block

---

To avoid damage in handling the terminal block, take the following precautions:



**Caution** *Never* touch the exposed pins of connectors.

- Ground yourself using a grounding strap or by touching a grounded object.
- Touch the antistatic package to a metal part of your computer chassis before removing the terminal block from the package.

Remove the terminal block from the package and inspect the terminal block for loose components or any sign of damage. Notify NI if the terminal block appears damaged in any way. Do *not* install a damaged terminal block into your system.

Store the SCXI-1331 in the antistatic envelope when not in use.

## 2. Verify the Components

---

Make sure that you have the following items:

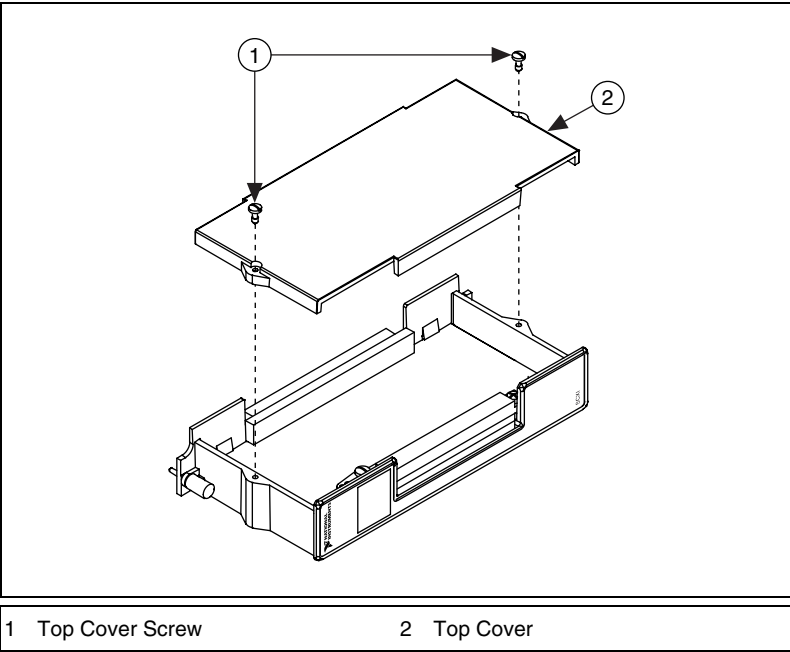
- SCXI-1331 terminal block
- SCXI chassis
- SCXI-1127 or SCXI-1128 switch module
- 1/8 in. flathead screwdriver
- Numbers 1 and 2 Phillips screwdrivers
- Long-nose pliers
- Wire cutter
- Wire insulation stripper

## 3. Connect Signals

---

To connect the signal(s) to the terminal block, refer to Figures 1 and 2 while completing the following steps:

1. Prepare the signal wire by stripping the insulation no more than 7 mm from the end of the wire.
2. Remove the top cover screw.
3. Unsnap and remove the top cover.
4. Loosen the two strain-relief screws on the strain-relief bar.
5. Run the signal wires through the strain-relief opening.
6. Insert the stripped end of the wire fully into the terminal. Secure the wire by tightening the screw of the terminal. No bare wire should extend past the screw terminal. Exposed wire increases the risk of a short-circuit causing a failure.
7. Connect the safety earth ground to the safety ground lug.
8. Tighten the two screws on the strain-relief assembly to secure the cables.
9. Reinstall the top cover.
10. Replace the top cover screw.



**Figure 1.** SCXI-1331 Top Cover Diagram

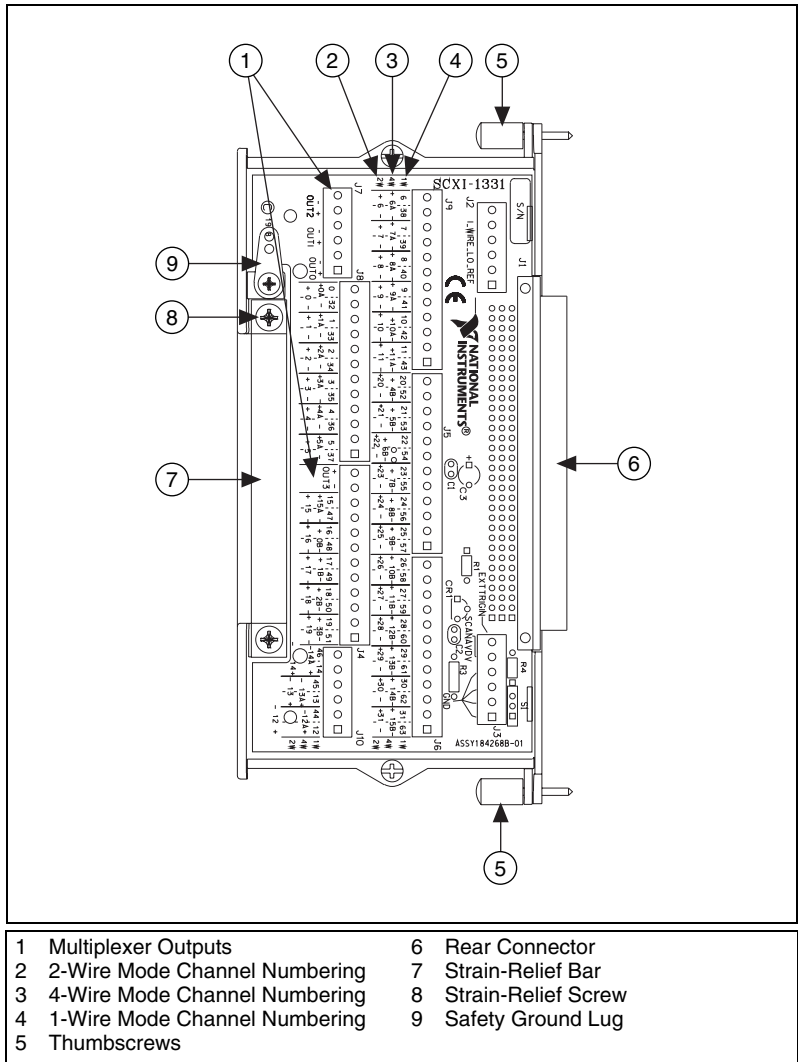


Figure 2. SCXI-1331 Parts Locator Diagram

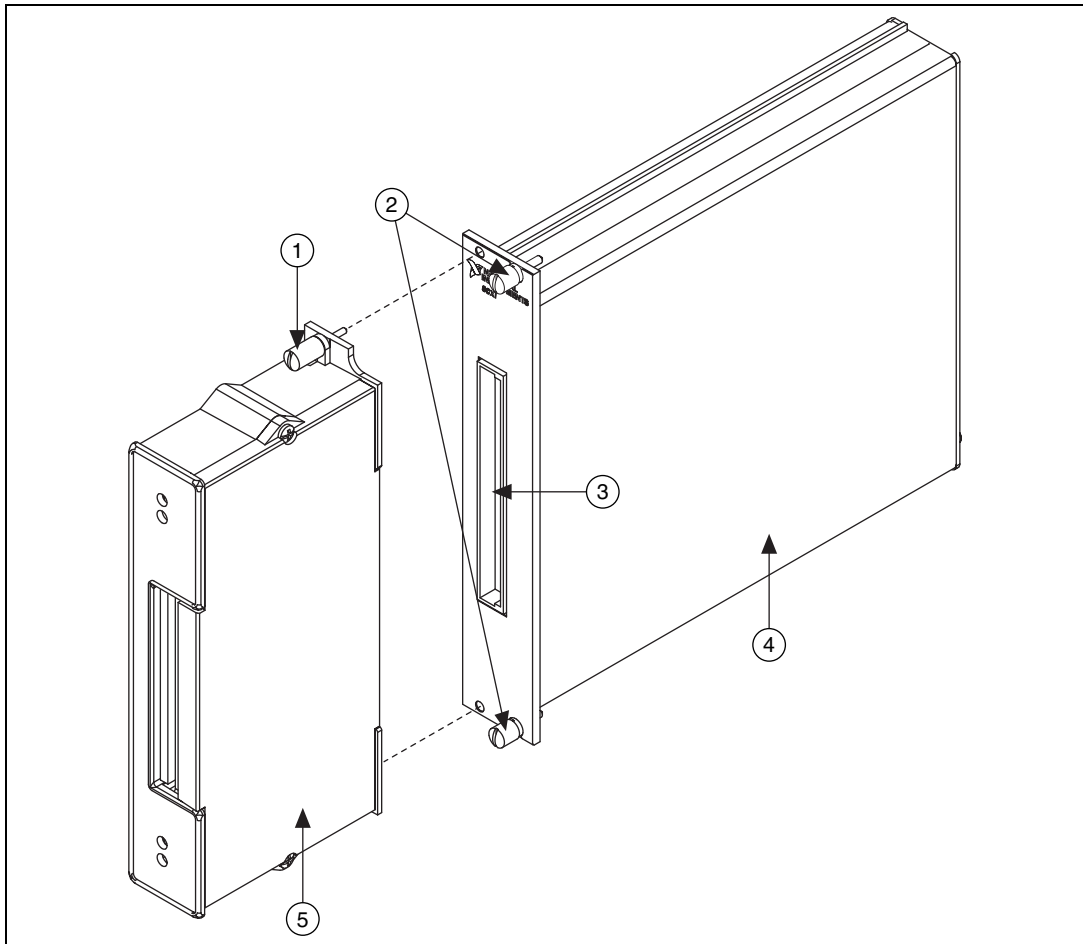
## 4. Install the Terminal Block

To connect the SCXI-1331 to the SCXI-1127/1128 front connector, complete the following steps:

1. Plug the SCXI-1331 onto the front connector on the SCXI-1127/1128.
2. Tighten the top and bottom thumbscrews on the terminal block rear panel to hold it securely in place.



**Note** For accurate cold-junction compensation, place the SCXI chassis away from an extreme temperature differential.



- 1 SCXI-1331 Thumbscrew
- 2 SCXI-1127/1128 Thumbscrews
- 3 Front Connector

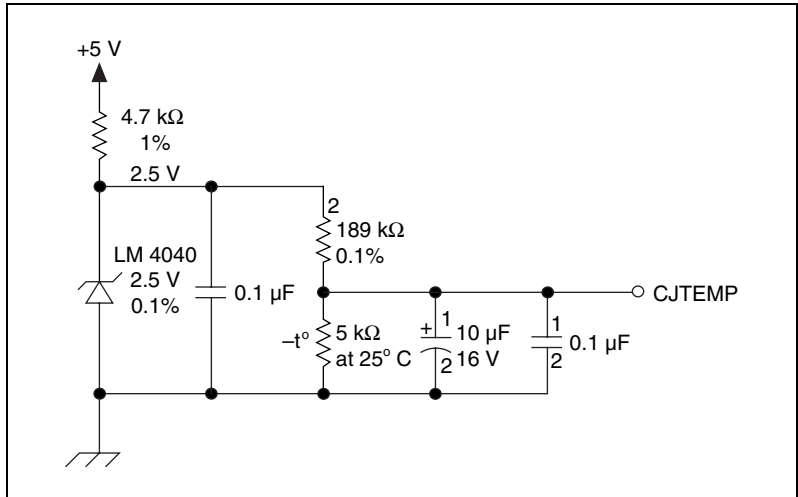
- 4 SCXI-1127/1128
- 5 SCXI-1331

**Figure 3.** Installing the SCXI-1331 Terminal Block

# 5. Use the Temperature Sensor Output

The temperature sensor output is a thermistor that is located near the J5 connector on the underside of the PCB. The SCXI-1331 temperature sensor outputs 0.2 V to 0.024 V from 0 °C to 50 °C, and it has an accuracy of ±0.5 °C over the 15 °C to 35 °C range and an accuracy of ±0.9 °C over the 0 °C to 15 °C and 35 °C to 50 °C ranges.<sup>1</sup>

NI software can convert a thermistor voltage to the thermistor temperature for the circuit diagram shown in Figure 4.



**Figure 4.** Temperature Sensor Circuit Diagram

In LabVIEW, use the Convert Thermistor Reading VI in the **Data Acquisition»Signal Conditioning** palette. If you are using LabWindows™/CVI™ or NI-DAQ, use the `Thermistor_Convert` function. This function takes the output voltage of the temperature sensor, the reference voltage (2.5 V), and the precision resistance (189 kΩ) and returns the thermistor temperature.

Alternatively, you can use the following formulas:

$$T(^{\circ}\text{C}) = T_K - 273.15$$

<sup>1</sup> Includes the combined effects of the temperature sensor accuracy and the temperature difference between the temperature sensor and any screw terminal. The temperature sensor accuracy includes tolerances in all component values, the effects caused by temperature and loading, and self-heating.

where  $T_K$  is the temperature in Kelvin,

$$T_K = \frac{1}{[a + b(\ln R_T) + c(\ln R_T)^3]}$$

where  $a = 1.295361 \times 10^{-3}$ ,  
 $b = 2.343159 \times 10^{-4}$ ,  
 $c = 1.018703 \times 10^{-7}$ , and  
 $R_T$  = resistance of the thermistor in ohms,

$$R_T = 189,000 \left( \frac{V_{TEMPOUT}}{2.5 - V_{TEMPOUT}} \right)$$

where  $V_{TEMPOUT}$  is the output voltage of the temperature sensor,

$$T(^{\circ}\text{F}) = \frac{[T(^{\circ}\text{C})]19}{5} + 32$$

where  $T(^{\circ}\text{F})$  and  $T(^{\circ}\text{C})$  are the temperature readings in degrees Fahrenheit and degrees Celsius, respectively.

## Specifications

---

### Cold-Junction Sensor

Accuracy <sup>1</sup> .....	0.5 °C from 15 °C to 35 °C; 0.9 °C from 0 °C to 15 °C and from 35 °C to 50 °C
Output .....	0.2 V to 0.024 V from 0 °C to 50 °C

### Maximum Voltage

Channel-to-earth .....	250 V, Installation Category II
Channel-to-channel .....	250 V

### Maximum Current

Maximum current (per channel) .....	2 ADC, 2 AAC
--	--------------

---

<sup>1</sup> The temperature sensor accuracy includes tolerances in all component values, effects caused by temperature, loading, self-heating, and temperature gradients.



## Environment

Operating temperature.....	0 °C to 50 °C
Storage temperature .....	-20 °C to 70 °C
Relative humidity .....	10% to 90% RH, noncondensing
Pollution Degree .....	2
Altitudes up to	2,000 m
Indoor use only	

## Safety

This product is designed to meet the requirements of the following standards of safety for electrical equipment for measurement, control, and laboratory use:

- IEC 61010-1, EN 61010-1
- UL 3111-1, UL 61010B-1
- CAN/CSA C22.2 No. 1010.1



**Note** For UL and other safety certifications, refer to the product label, or visit [ni.com/hardref.nsf](http://ni.com/hardref.nsf), search by model number or product line, and click the appropriate link in the Certification column.

## Electromagnetic Compatibility

Emissions .....	EN 55011 Class A at 10 m FCC Part 15A above 1 GHz
Immunity .....	EN 61326:1997 + A2:2001, Table 1
EMC/EMI.....	CE, C-Tick, and FCC Part 15 (Class A) Compliant



**Note** For EMC compliance, you *must* operate this device with shielded cabling.

# CE Compliance

This product meets the essential requirements of applicable European Directives, as amended for CE marking, as follows:

Low-Voltage Directive (safety).....73/23/EEC

Electromagnetic Compatibility  
Directive (EMC) .....89/336/EEC



**Note** Refer to the Declaration of Conformity (DoC) for this product for any additional regulatory compliance information. To obtain the DoC for this product, visit [ni.com/hardref.nsf](http://ni.com/hardref.nsf), search by model number or product line, and click the appropriate link in the Certification column.

CVI™, LabVIEW™, National Instruments™, NI™, ni.com™, NI-DAQ™, and SCXI™ are trademarks of National Instruments Corporation. Product and company names mentioned herein are trademarks or trade names of their respective companies. For patents covering National Instruments products, refer to the appropriate location: **Help»Patents** in your software, the `patents.txt` file on your CD, or `ni.com/patents`.

© 1998–2003 National Instruments Corp. All rights reserved.



322337C-01

Dec03